

Linux Module

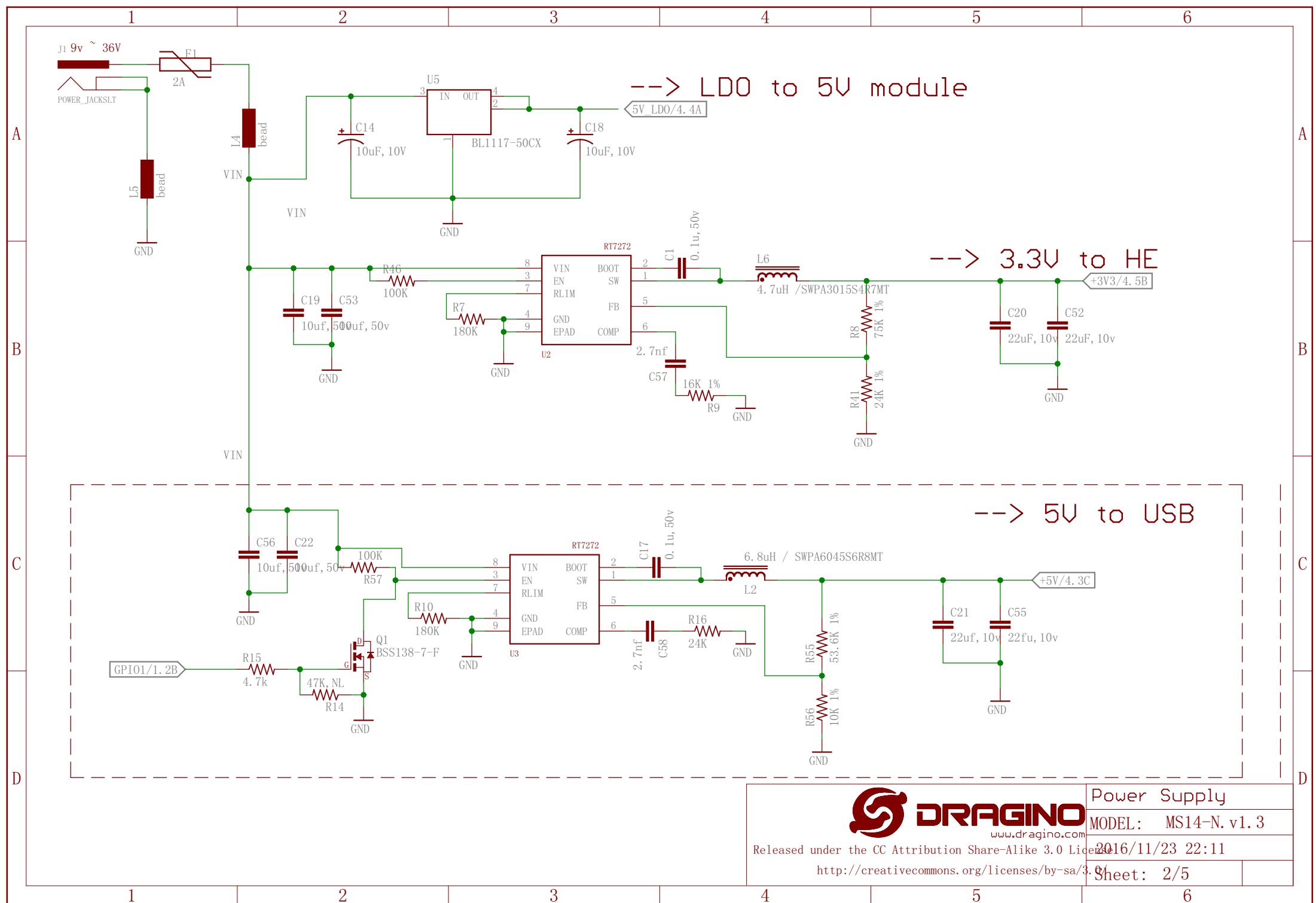
MODEL: MS14-N. v1.3

Released under the CC Attribution Share-Alike 3.0 License

2016/11/23 22:11

<http://creativecommons.org/licenses/by-sa/3.0/>

Sheet: 1/5



--> LDO to 5V module

--> 3.3V to HE

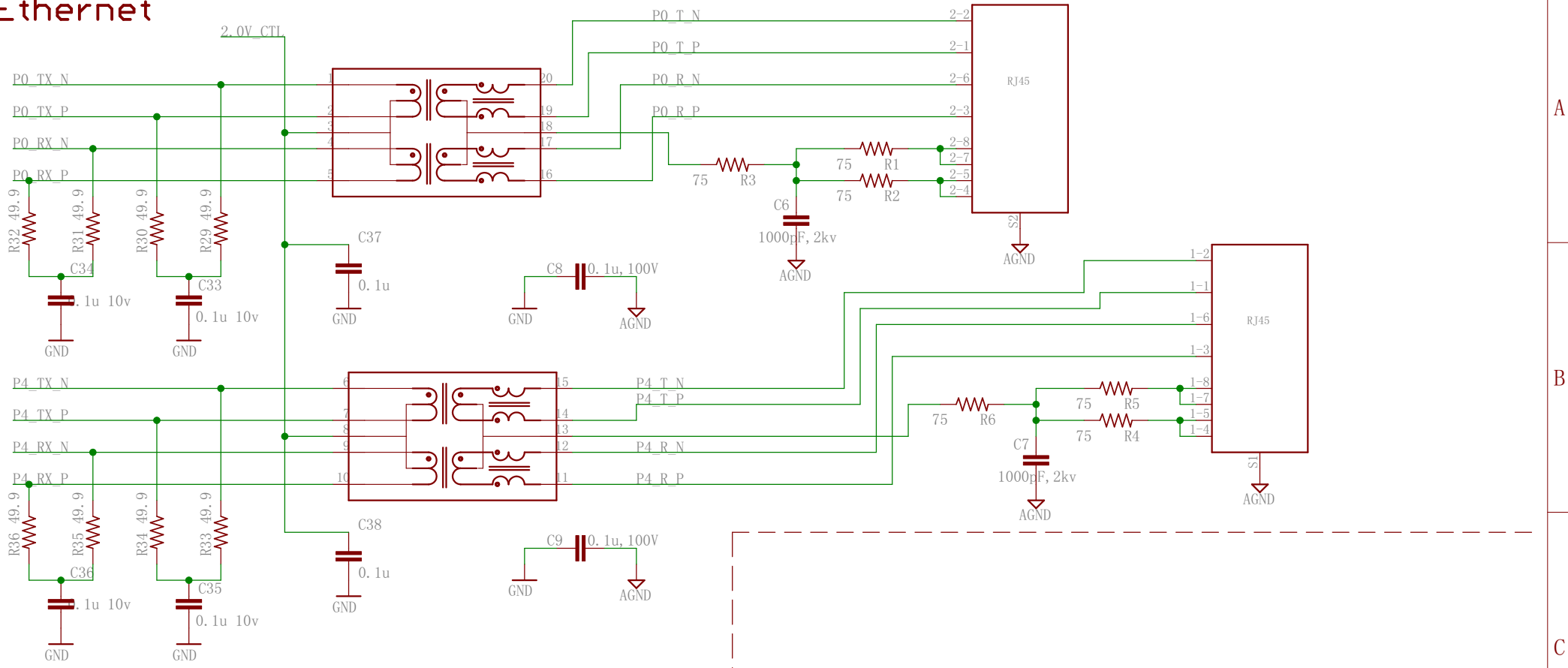
--> 5V to USB



Power Supply
MODEL: MS14-N.v1.3
2016/11/23 22:11
Sheet: 2/5

Released under the CC Attribution Share-Alike 3.0 License
<http://creativecommons.org/licenses/by-sa/3.0/>

Ethernet



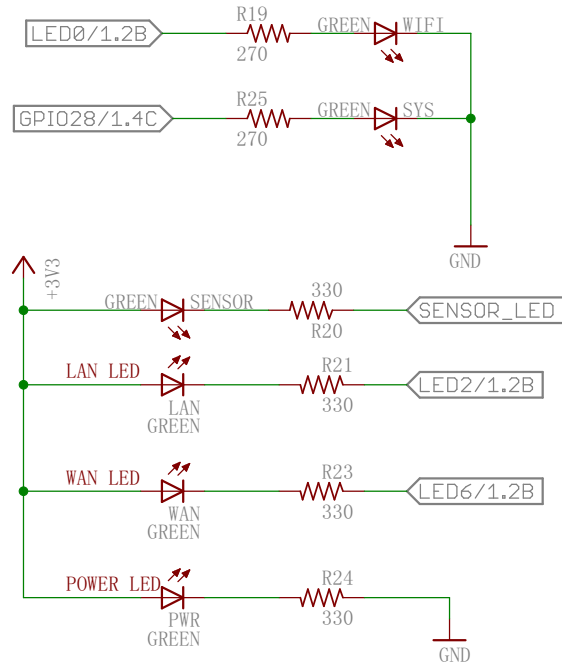
RJ45 Connectors

MODEL: MS14-N.v1.3

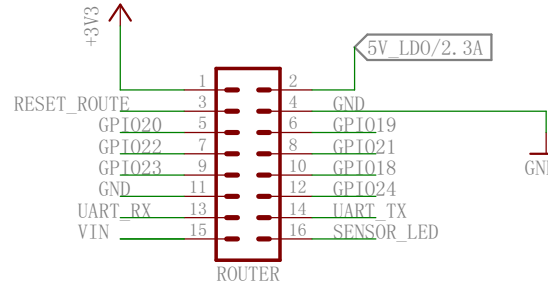
Released under the CC Attribution Share-Alike 3.0 License
2016/11/23 22:11

<http://creativecommons.org/licenses/by-sa/3.0/> Sheet: 3/5

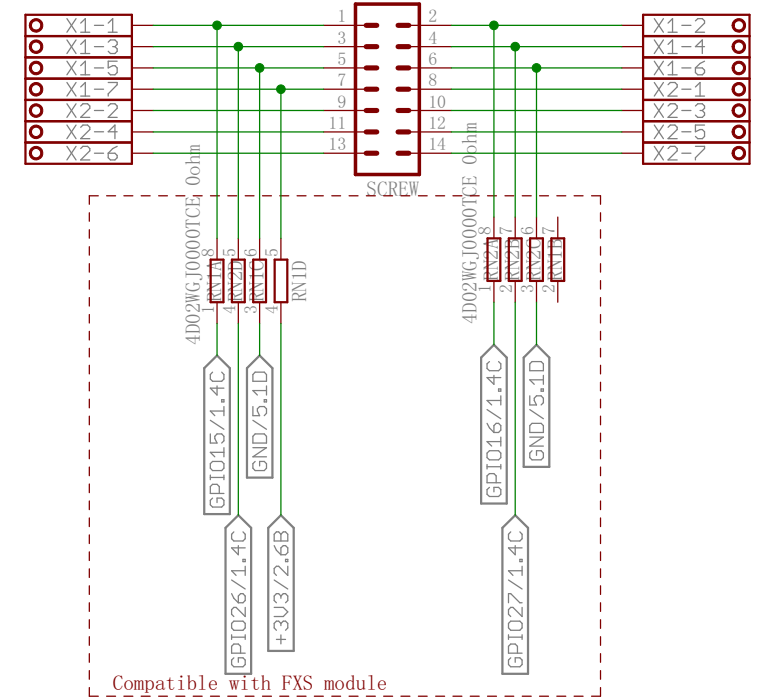
LEDs



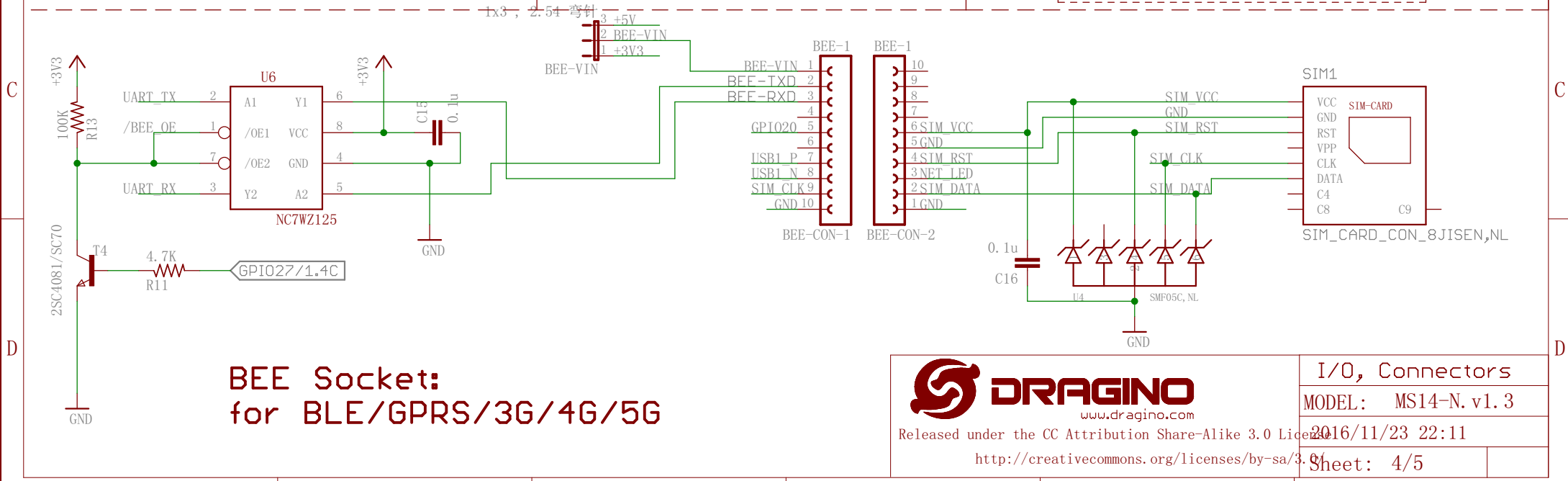
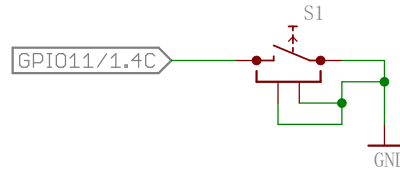
Router Connector



Sensor Connector



Programmable Button



BEE Socket:
for BLE/GPRS/3G/4G/5G



www.dragino.com

Released under the CC Attribution Share-Alike 3.0 License

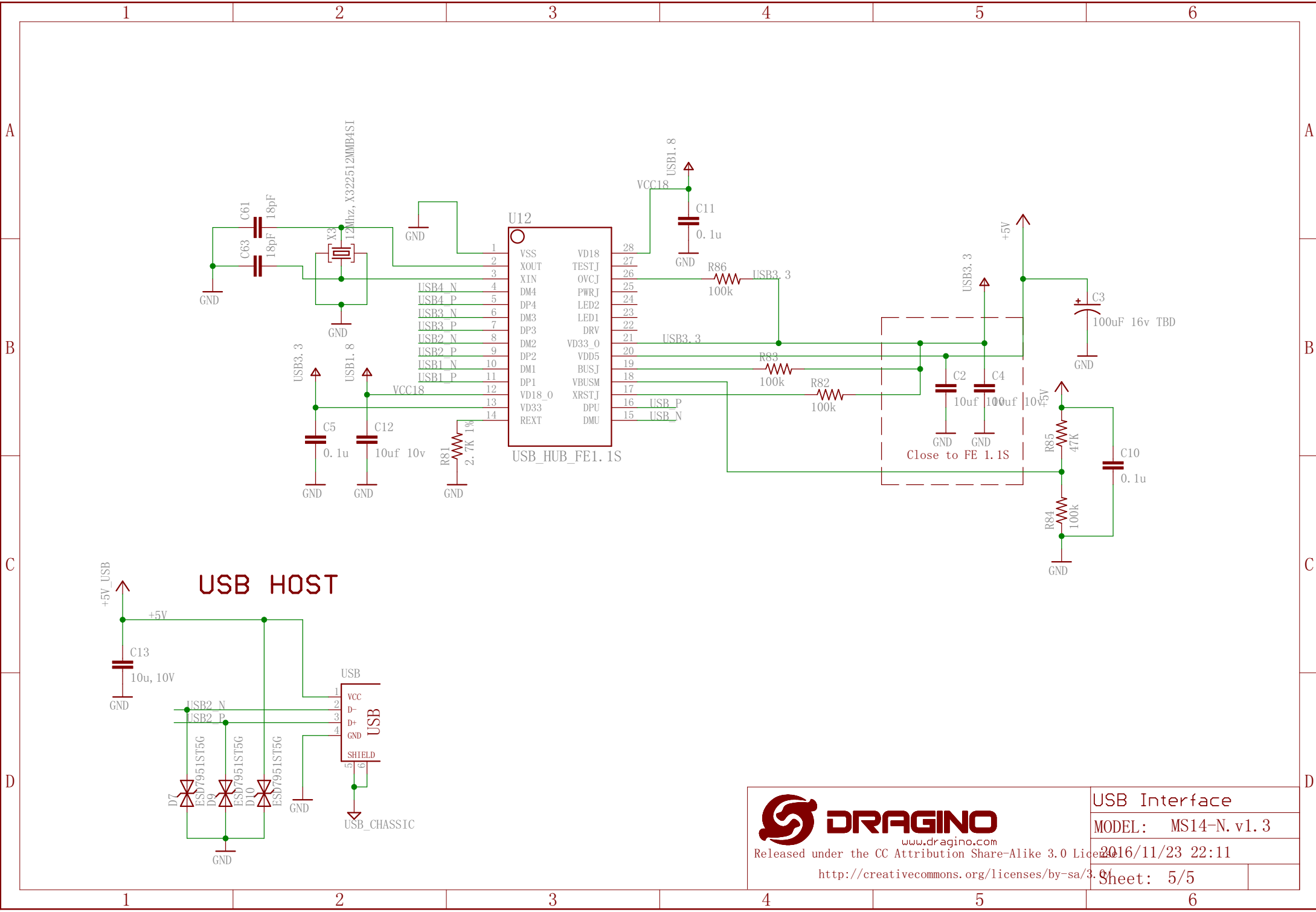
<http://creativecommons.org/licenses/by-sa/3.0/>

I/O, Connectors

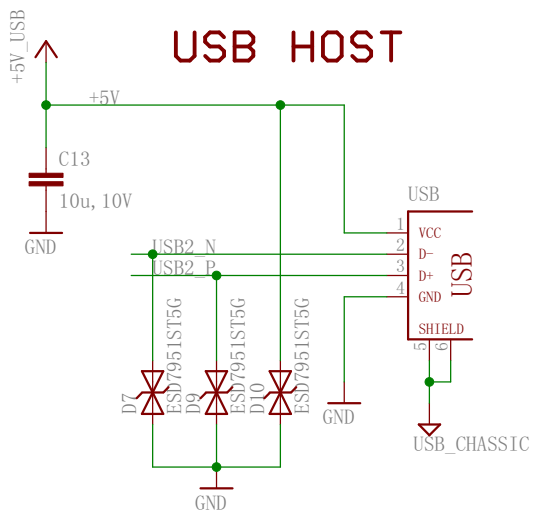
MODEL: MS14-N.v1.3

2016/11/23 22:11

Sheet: 4/5



USB HOST



 www.dragino.com	USB Interface	
	MODEL: MS14-N.v1.3	
	Released under the CC Attribution Share-Alike 3.0 License	
	2016/11/23 22:11	
http://creativecommons.org/licenses/by-sa/3.0/		Sheet: 5/5