

BC95&BC35-G&BC28

Low Power Design Guide

NB-IoT Module Series

Rev. BC95&BC35-G&BC28_Low_Power_Design_Guide_V1.1

Date: 2018-06-04

Status: Released



Our aim is to provide customers with timely and comprehensive service. For any assistance, please contact our company headquarters:

Quectel Wireless Solutions Co., Ltd.

7th Floor, Hongye Building, No.1801 Hongmei Road, Xuhui District, Shanghai 200233, China

Tel: +86 21 5108 6236

Email: info@quectel.com

Or our local office. For more information, please visit:

<http://quectel.com/support/sales.htm>

For technical support, or to report documentation errors, please visit:

<http://quectel.com/support/technical.htm>

Or Email to: support@quectel.com

GENERAL NOTES

QUECTEL OFFERS THE INFORMATION AS A SERVICE TO ITS CUSTOMERS. THE INFORMATION PROVIDED IS BASED UPON CUSTOMERS' REQUIREMENTS. QUECTEL MAKES EVERY EFFORT TO ENSURE THE QUALITY OF THE INFORMATION IT MAKES AVAILABLE. QUECTEL DOES NOT MAKE ANY WARRANTY AS TO THE INFORMATION CONTAINED HEREIN, AND DOES NOT ACCEPT ANY LIABILITY FOR ANY INJURY, LOSS OR DAMAGE OF ANY KIND INCURRED BY USE OF OR RELIANCE UPON THE INFORMATION. ALL INFORMATION SUPPLIED HEREIN IS SUBJECT TO CHANGE WITHOUT PRIOR NOTICE.

COPYRIGHT

THE INFORMATION CONTAINED HERE IS PROPRIETARY TECHNICAL INFORMATION OF QUECTEL WIRELESS SOLUTIONS CO., LTD. TRANSMITTING, REPRODUCTION, DISSEMINATION AND EDITING OF THIS DOCUMENT AS WELL AS UTILIZATION OF THE CONTENT ARE FORBIDDEN WITHOUT PERMISSION. OFFENDERS WILL BE HELD LIABLE FOR PAYMENT OF DAMAGES. ALL RIGHTS ARE RESERVED IN THE EVENT OF A PATENT GRANT OR REGISTRATION OF A UTILITY MODEL OR DESIGN.

Copyright © Quectel Wireless Solutions Co., Ltd. 2018. All rights reserved.

About the Document

History

| Revision | Date | Author | Description |
|----------|------------|----------|--|
| 1.0 | 2018-05-24 | Ewent LU | Initial |
| 1.1 | 2018-06-04 | Ewent LU | Updated recommended types of lithium-thionyl chloride (Li-SOCl ₂) batteries in Table 1 |

Contents

| | |
|--|-----------|
| About the Document..... | 2 |
| Contents..... | 3 |
| Table Index..... | 4 |
| Figure Index..... | 5 |
| 1 Introduction..... | 6 |
| 2 Low Power Solutions..... | 7 |
| 2.1. Power Supply Solution..... | 7 |
| 2.1.1. Types of Batteries..... | 7 |
| 2.2. Power Supply Reference Designs..... | 9 |
| 2.2.1. Reference Design of a Single Power Battery Type..... | 10 |
| 2.2.2. Reference Design of an Energy Battery Pack..... | 11 |
| 2.2.3. Reference Design of a Single Lithium Manganese Oxide (LiMn2O4) Battery..... | 12 |
| 2.2.4. Reference Design of a Dry Cell..... | 13 |
| 2.3. Boost Converter Solution..... | 14 |
| 2.3.1. Boost Converter Design..... | 14 |
| 2.3.2. Layout Guidelines for Boost Converters..... | 14 |
| 2.4. Power Consumption of NB-IoT Modules..... | 15 |
| 2.5. Battery Capacity Assessment..... | 16 |
| 3 Appendix A References..... | 18 |

Table Index

| | |
|---|----|
| TABLE 1: COMPARISON OF LITHIUM-THIONYL CHLORIDE (LI-SOCL ₂) BATTERIES..... | 7 |
| TABLE 2: DESCRIPTION OF LITHIUM MANGANESE OXIDE (LIMN ₂ O ₄) BATTERY CR17450 | 8 |
| TABLE 3: DESCRIPTION OF DRY CELL LR6/AA | 9 |
| TABLE 4: TEST CONDITION IN DIFFERENT CLASSES OF SIGNAL STRENGTH | 16 |
| TABLE 5: POWER CONSUMPTION OF NB-IOT MODULES..... | 16 |
| TABLE 6: AVERAGE POWER CONSUMPTION IN DIFFERENT CLASSES OF SIGNAL STRENGTH (ONE DAY)..... | 17 |
| TABLE 7: RELATED DOCUMENTS | 18 |
| TABLE 8: TERMS AND ABBREVIATIONS | 18 |

Figure Index

| | |
|---|----|
| FIGURE 1: REFERENCE DESIGN OF A SINGLE BATTERY ER34615M | 10 |
| FIGURE 2: REFERENCE DESIGN OF AN ENERGY BATTERY PACK ER34615+SPC1520 | 11 |
| FIGURE 3: REFERENCE DESIGN OF A SINGLE LITHIUM MANGANESE OXIDE (LIMN2O4) BATTERY CR17450 | 12 |
| FIGURE 4: REFERENCE DESIGN OF A SINGLE DRY CELL LR6/AA..... | 13 |
| FIGURE 5: REFERENCE CIRCUIT OF TPS610995 | 14 |
| FIGURE 6: REFERENCE LAYOUT DESIGN OF A BOOST CONVERTER | 15 |
| FIGURE 7: CURRENT CONSUMPTION OF NB-IOT MODULES | 15 |

1 Introduction

In most NB-IoT applications, devices are battery powered, and low-power operation is therefore one of the key requirements of NB-IoT devices. This document mainly introduces solutions and reference designs for reducing power consumption of Quectel NB-IoT modules in low-power applications.

This document is applicable to Quectel BC95, BC35-G and BC28 modules.

2 Low Power Solutions

The low power solutions provided in this document are only applied for wireless terminals which feature following characteristics:

- A lithium-thionyl chloride (Li-SOCl₂) battery, lithium manganese oxide (LiMn₂O₄) battery or dry cell is used as the main power supply of the system.
- The battery is a non-rechargeable one and its life cycle can reach up to one year or much longer.
- Low frequency of data transmission on wireless terminals.

2.1. Power Supply Solution

The power supply of the NB-IoT modules ranges from 3.1V~4.2V, and the power supply for MCU is 3.3V or lower. Since the battery is used as the power source of a terminal, the battery capacity should be large enough to ensure a long battery life.

2.1.1. Types of Batteries

The following three types of batteries can be used as the power supply for NB-IoT modules in a lower power consumption application system, for they can not only provide the maximum energy ratio and voltage, but also have a preferable discharge characteristic and rather low self-discharge.

- Lithium-thionyl chloride (Li-SOCl₂) batteries
- Lithium manganese oxide (LiMn₂O₄) batteries
- Dry cells

The following tables list some commonly used batteries and compare their key parameters for reference. Customers can choose a proper battery according to actual needs.

Table 1: Comparison of Lithium-thionyl Chloride (Li-SOCl₂) Batteries

| Parameter | Power Type (ER34615M) | Energy Battery Pack (ER34615+SPC1520) |
|------------------|--------------------------|--|
| Nominal Capacity | 13Ah @5mA, 2V | 19Ah @2mA, 2V |

| | | |
|--------------------------------------|---|--|
| Nominal Voltage | 3.6V | 3.6V |
| Maximum Continuous Discharge Current | 2000mA | / |
| Maximum Pulse Current | 4000mA @0.1s | 2000mA @1s |
| Temperature Range | -60°C ~ +85°C | -40°C ~ +85°C |
| Voltage Delay | Supported | Not supported |
| Parameter | Power Type (ER26500M) | Energy Battery Pack (ER26500+SPC1520) |
| Nominal Capacity | 6Ah @10mA, 2V | 8.5Ah @4mA, 2V |
| Nominal Voltage | 3.6V | 3.6V |
| Maximum Continuous Discharge Current | 1000mA | / |
| Maximum Pulse Current | 2000mA @0.1s | 2000mA @1s |
| Temperature Range | -60°C ~ +85°C | -40°C ~ +85°C |
| Voltage Delay | Supported | Not supported |
| Parameter | Power Type (Three ER18500 in Parallel) | Energy Battery Pack (Three ER18500 in Parallel+SPC1520) |
| Nominal Capacity | 12Ah @9mA, 2V | 12Ah @9mA, 2V |
| Nominal Voltage | 3.6V | 3.6V |
| Maximum Continuous Discharge Current | 360mA | / |
| Maximum Pulse Current | 540mA @0.1s | 2000mA @1s |
| Temperature Range | -60°C ~ +85°C | -40°C ~ +85°C |
| Voltage Delay | Supported | Not supported |

Table 2: Description of Lithium Manganese Oxide (LiMn2O4) Battery CR17450

| Parameter | CR17450 |
|------------------|-----------------|
| Nominal Capacity | 2.4Ah @10mA, 2V |
| Nominal Voltage | 3.0V |

| | |
|--------------------------------------|---------------|
| Maximum Continuous Discharge Current | 1500mA |
| Maximum Pulse Current | 3000mA @0.1s |
| Temperature Range | -40°C ~ +85°C |
| Voltage Delay | Not supported |

Table 3: Description of Dry Cell LR6/AA

| Parameter | LR6/AA |
|--------------------------------------|--------------------|
| Nominal Capacity | 2500mAh @43Ω, 0.8V |
| Nominal Voltage | 1.5V |
| Maximum Continuous Discharge Current | 1000mA |
| Maximum Pulse Current | 1000mA @10s |
| Temperature Range | -20°C ~ +55°C |
| Voltage delay | Not supported |

NOTE

For more information of these batteries, please visit <http://en.evebattery.com>.

2.2. Power Supply Reference Designs

The power circuit design plays an important role in reducing power consumption of the whole system. As the power supply range of the module is 3.1V~4.2V, please make sure that the input voltage will never drop below 3.1V even in a burst transmission. Reference circuit designs of some commonly used batteries are illustrated in the following figures.

2.2.1. Reference Design of a Single Power Battery Type

The following figure shows a reference design with a single power battery type ER34615M as the power supply.

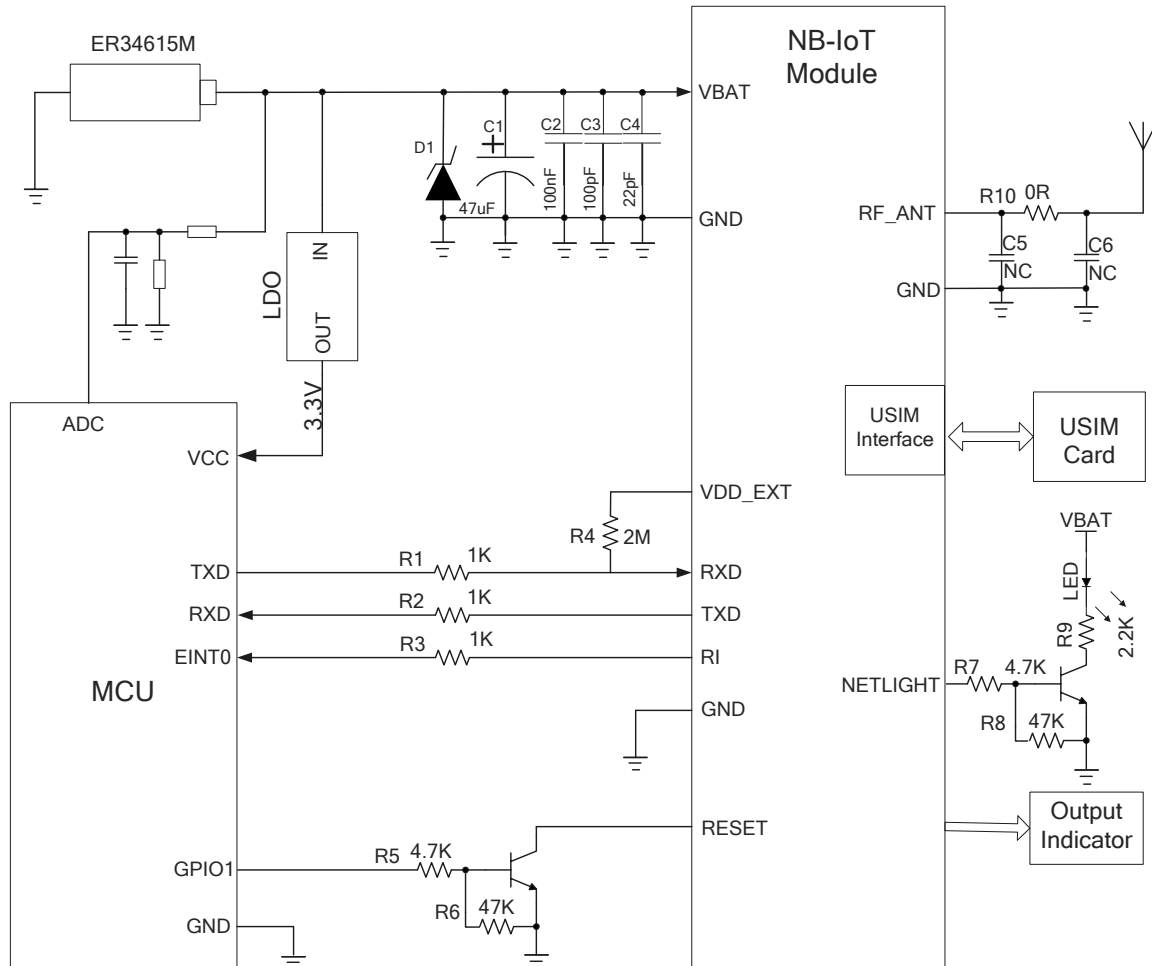


Figure 1: Reference Design of a Single Battery ER34615M

NOTE

The diode is used to avoid the current flowing into the module so as to reduce the power consumption of the MCU. It is recommended to use the Schottky Diode with forward voltage less than 0.3V.

2.2.2. Reference Design of an Energy Battery Pack

The following figure shows a reference design with an energy battery pack ER34615+SPC1520 as the power supply.

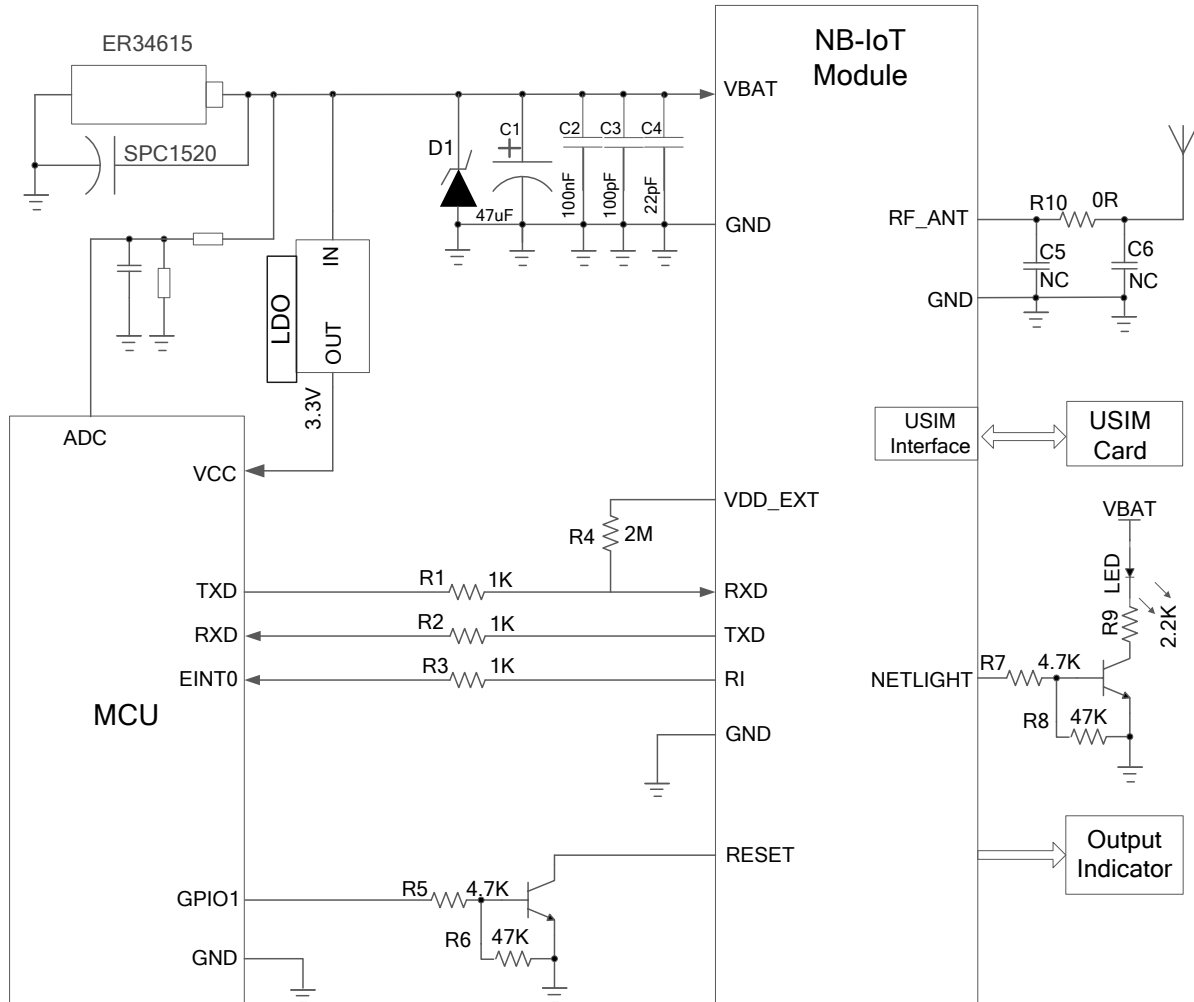


Figure 2: Reference Design of an Energy Battery Pack ER34615+SPC1520

NOTE

The diode is used to avoid the current flowing into the module so as to reduce the power consumption of the MCU. It is recommended to use the Schottky Diode with forward voltage less than 0.3V.

2.2.3. Reference Design of a Single Lithium Manganese Oxide (LiMn2O4) Battery

The following figure shows a reference design with a single lithium manganese oxide (LiMn2O4) battery CR17450 as the power supply.

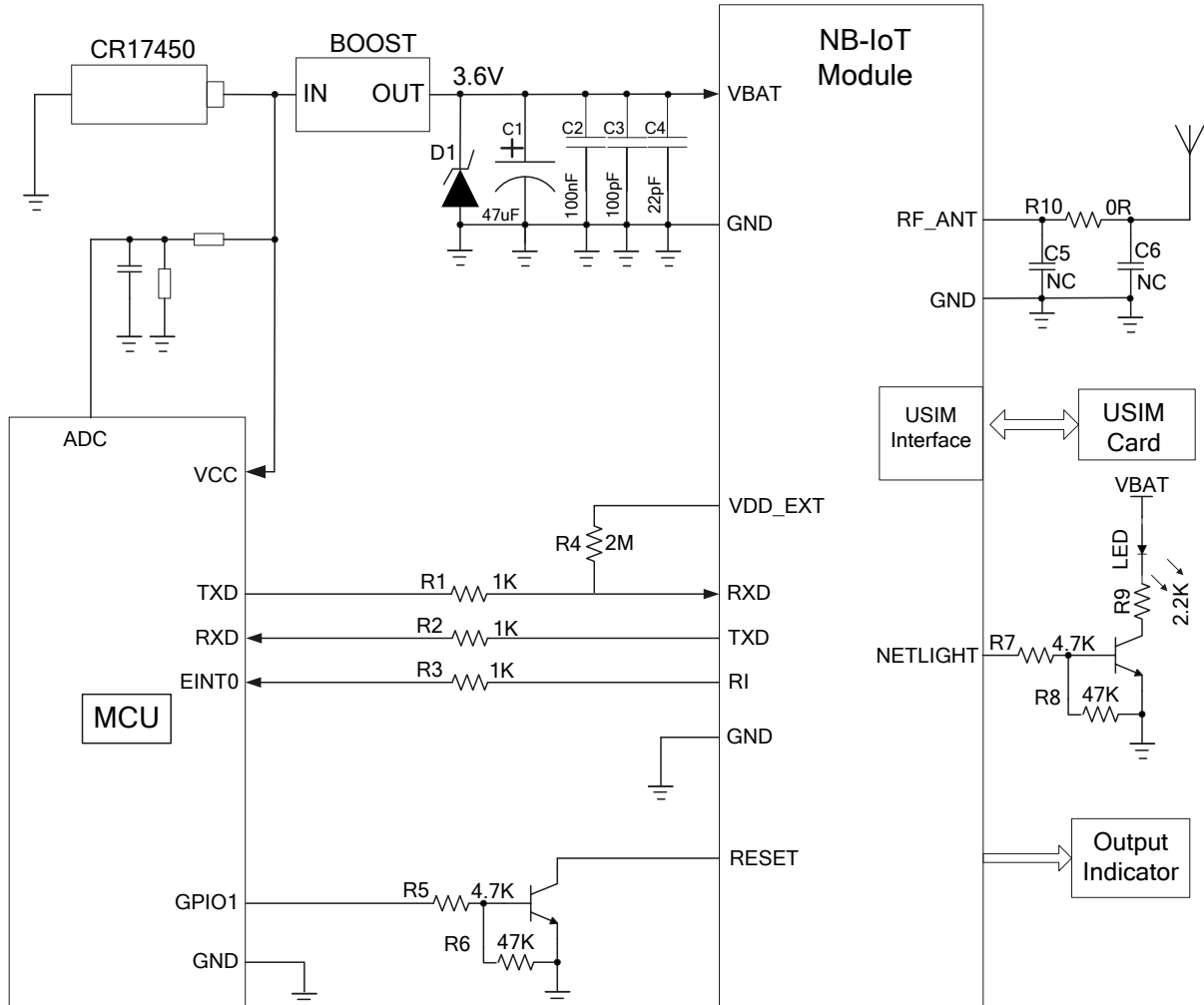


Figure 3: Reference Design of a Single Lithium Manganese Oxide (LiMn2O4) Battery CR17450

NOTE

The diode is used to avoid the current flowing into the module so as to reduce the power consumption of the MCU. It is recommended to use the Schottky Diode with forward voltage less than 0.3V.

2.2.4. Reference Design of a Dry Cell

The following figure shows a reference design with a single dry cell LR6/AA as the power supply.

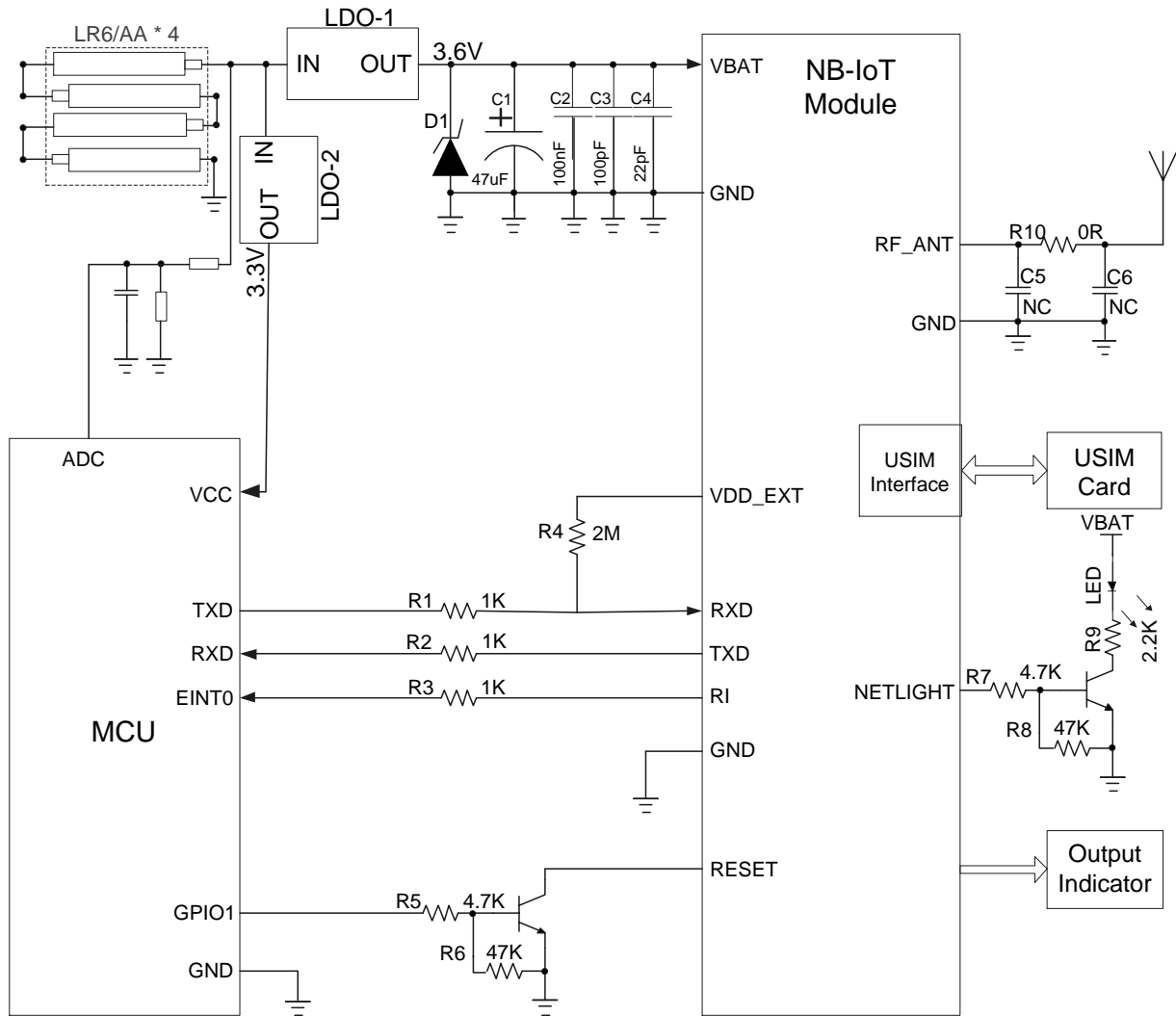


Figure 4: Reference Design of a Single Dry Cell LR6/AA

NOTE

The diode is used to avoid the current flowing into the module so as to reduce the power consumption of the MCU. It is recommended to use the Schottky Diode with forward voltage less than 0.3V.

2.3. Boost Converter Solution

2.3.1. Boost Converter Design

If a lithium manganese oxide (LiMn2O4) battery is used in customers applications, then a boost converter is needed. The boost converter should be selected based on the following principles.

- The input voltage range of the boost converter should be wider than the output voltage range of the battery.
- The maximum output current should be at least 1.25A, and can keep high efficiency at light loads.

TPS610995 from TI is recommended to be used as a boost converter. It is a synchronous boost converter with 1- μ A ultra-low quiescent current, which can achieve a high efficiency under light load conditions to ensure a long battery life.

A reference circuit of TPS610995 for NB-IoT modules is as below.

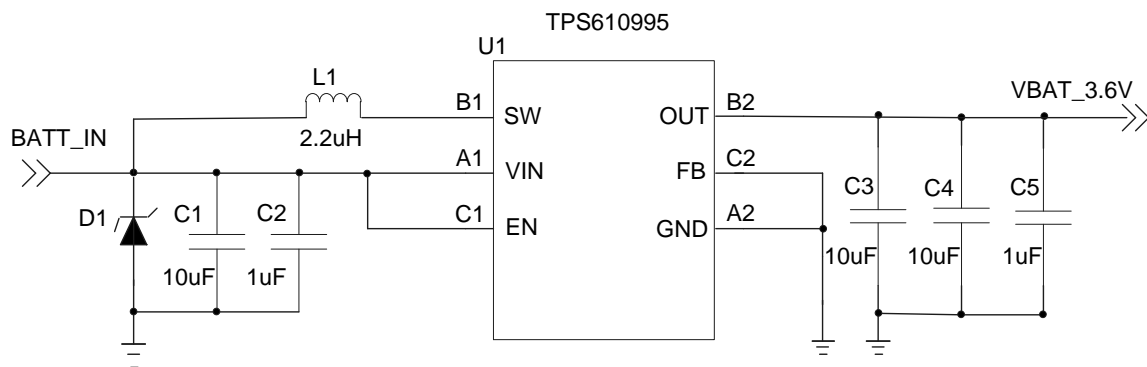


Figure 5: Reference Circuit of TPS610995

2.3.2. Layout Guidelines for Boost Converters

The layout of a switching power supply is very important, especially at high peak currents and high switching frequencies. Therefore, please use wide and short traces for the main current paths and the power ground paths. The input and output capacitors as well as the inductors should be placed to the IC as close as possible. Meanwhile, the bottom layer should be designed as the reference ground and ground vias should be added.

A reference layout design of a boost converter is shown below.

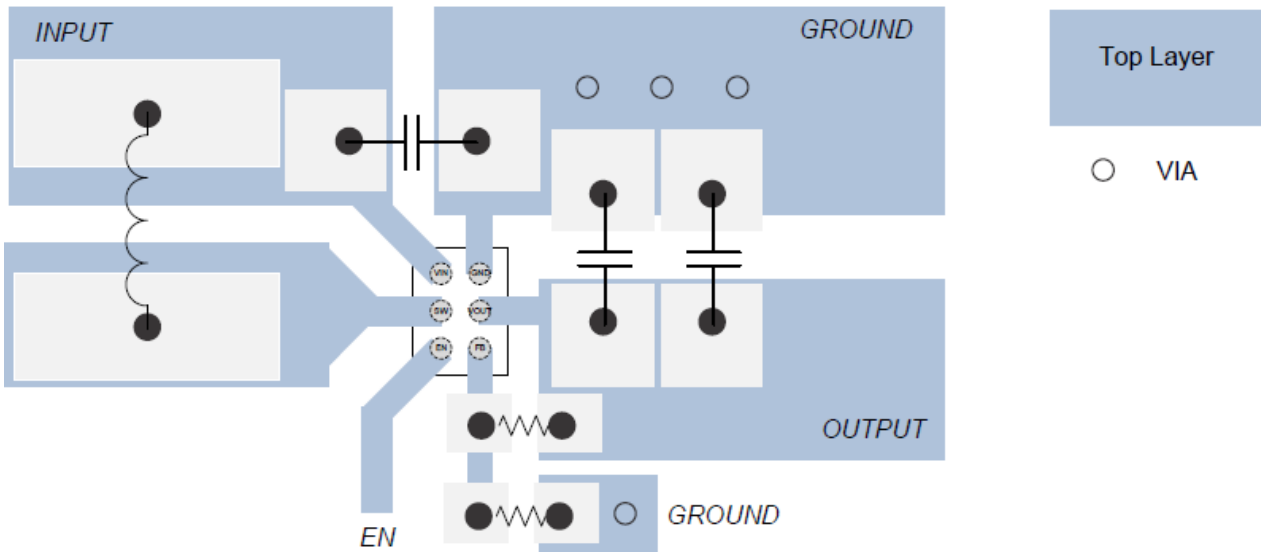


Figure 6: Reference Layout Design of a Boost Converter

2.4. Power Consumption of NB-IoT Modules

In order to choose a battery with a proper capacity in lower power designs, it needs to evaluate the power consumption of NB-IoT modules in normal working environment. The following figure shows the average current consumption of NB-IoT modules during Tx/Rx modes and PSM in real NB-IoT network. The power consumption will vary with different classes of signal strength and environments.

The working process of NB-IoT modules is as follows: Start the module → Search network → Connect to the network successfully → Transmit data in Cat NB1 mode → Succeed to transmit data → Enter into Idle (eDRX) mode → Enter into PSM.

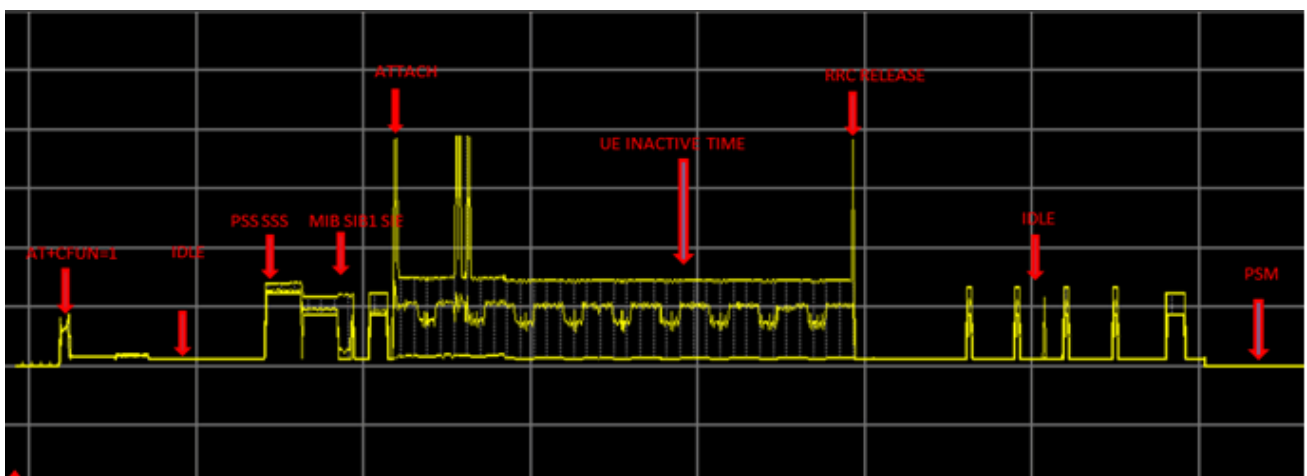


Figure 7: Current Consumption of NB-IoT Modules

Table 4: Test Condition in Different Classes of Signal Strength

| UE Inactive Time | eDRX Cycle | Power Supply |
|------------------|------------|--------------|
| 20s | 40.96s | 3.6V |

Table 5: Power Consumption of NB-IoT Modules

| Signal Strength | RSRP | Total Time | Data Size | Power Consumption |
|----------------------------------|----------|------------|-----------|-------------------|
| Class 0 (> -128dBm) | -93.9dBm | 144s | 50 bits | 343uAh |
| | | 144s | 200 bits | 344uAh |
| | | 144s | 510 bits | 346uAh |
| Class 1 (-137.8dBm ~ -128dBm) | -128dBm | 147s | 50 bits | 506uAh |
| | | 151s | 200 bits | 619.2uAh |
| | | 152s | 510 bits | 628uAh |
| Class 2 (< -137dBm) | -137dBm | 158s | 50 bits | 1.01mAh |
| | | 162s | 200 bits | 1.2526mAh |
| | | 191s | 510 bits | 2.3mAh |

2.5. Battery Capacity Assessment

The power consumption of a terminal can be calculated in two modes: sleep mode and working mode. No matter in which mode the device works, the power consumption of the terminal can be divided into four parts:

- MCU control system
- NB-IoT module system
- Self-discharge of the battery
- Other external controlled targets (e.g. valves)

The following shows an example of how to calculate the power consumption of the terminal, assuming that the life cycle of the terminal is 6 years.

Table 6: Average Power Consumption in Different Classes of Signal Strength (One Day)

| Signal Strength | Power on → PSM | Power on → Send 200 Bits Data → PSM | TAU Process | PSM |
|-----------------|----------------|-------------------------------------|-------------|-------|
| Class 0 | 398uAh | 310uAh | 91.8uAh | 3.3uA |
| Class 1 | 770uAh | 619.2uAh | 484.8uAh | 3.3uA |
| Class 2 | 1900uAh | 1252.6uAh | 860.1uAh | 3.3uA |

If the terminal is powered on once per year, sends data once per day and initiates TAU process once per day in Class 1, then the total power consumption in 10 years is calculated as follows:

First Day: $770\text{uAh} + 619.2\text{uAh} + 484.8\text{uAh} + 3.3\text{uA} \times 24\text{h} = 1953.2\text{uAh}$;

364 Days: $(619.2\text{uAh} + 484.8\text{uAh} + 3.3\text{uA} \times 24\text{h}) \times 364 = 1183.2\text{uAh} \times 364 = 430684.8\text{uAh}$;

1 Year: $1953.2\text{uAh} + 430684.8\text{uAh} = 432638\text{uAh} = 432.638\text{mAh}$;

10 Years: $432.638\text{mAh} \times 10 = 4326.38\text{mAh}$.

3 Appendix A References

Table 7: Related Documents

| SN | Document Name | Remark |
|-----|--|------------------------------------|
| [1] | Quectel_BC95_Hardware_Design | BC95 Hardware Design |
| [2] | Quectel_BC35-G_Hardware_Design | BC35-G Hardware Design |
| [3] | Quectel_BC28_Hardware_Design | BC28 Hardware Design |
| [4] | Quectel_BC95_AT_Commands_Manual | BC95 AT Commands Manual |
| [5] | Quectel_BC35-G&BC28_AT_Commands_Manual | BC35-G and BC28 AT Commands Manual |

Table 8: Terms and Abbreviations

| Abbreviation | Description |
|--------------|--------------------------------|
| IC | Integrated Circuit |
| MCU | Microprogrammed Control Unit |
| NB-IoT | Narrow Band Internet of Things |
| PSM | Power Saving Mode |
| TAU | Tracking Area Update |